



<http://www.txsemi.com>

TX1119

1A Bipolar Linear Regulator

Features

- Maximum output current is 1.4A
- Range of operation input voltage: Max 15V
- Line regulation: 0.03%/V (typ.)
- ESD HBM:8KV
- Standby current: 2mA (typ.)
- Load regulation: 0.2%/A (typ.)
- Environment Temperature: -20°C~85°C

Applications

- Power Management for Computer Mother Board, Graphic Card
- LCD Monitor and LCD TV
- DVD Decode Board
- ADSL Modem
- Post Regulators For Switching Supplies

General Description

TX1119 is a series of low dropout three-terminal regulators with a dropout of 1.3V at 1A load current. TX1119 features a very low standby current 2mA compared to 5mA of competitor.

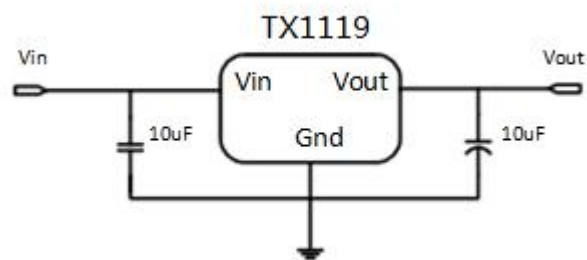
Other than a fixed version, $V_{out} = 1.2V, 1.5V, 1.8V, 2.5V, 2.85V, 3.3V,$ and 5V, TX1119 has an adjustable version, which can provide an output voltage from 1.25 to 12V with

only two external resistors.

TX1119 offers thermal shut down function, to assure the stability of chip and power system. And it uses trimming technique to guarantee output voltage accuracy within 2%. Other output voltage accuracy can be customized on demand, such as 1%.

TX1119 is available in SOT-223, TO-252 power package.

Typical Application



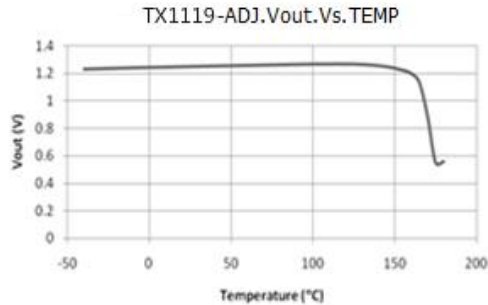
Application circuit of TX1119 fixed version



<http://www.txsemi.com>

TX1119 1A Bipolar Linear Regulator

Typical Electrical Characteristic



Selection Table

| Marking | Part No. | Output Voltage | Package |
|-----------------|----------|----------------|-------------------|
| 1119 XX YYWW | XX=12 | 1.2V | SOT-223 TO-252 |
| | XX=15 | 1.5V | |
| | XX=18 | 1.8V | |
| | XX=28 | 2.85V | |
| | XX=25 | 2.5V | |
| | XX=33 | 3.3V | |
| | XX=50 | 5.0V | |
| | XX=AD | Adj | |

Ordering Information

| Marking | Designator | Description |
|-----------------|------------|---------------------------|
| 1119 XX YYWW | 1119 | Product code |
| | XX | Output Voltage(1.2~12.0V) |
| | YYWW | DATE CODE |

Note: "XX" stands for output voltages. Other voltages can be specially customized

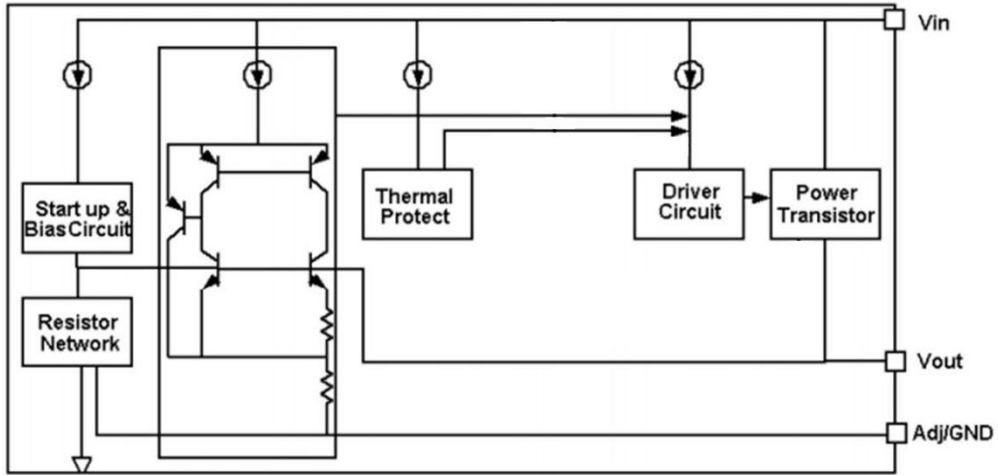
| Parameters | Description |
|--------------------|-------------------------------|
| Temperature & Rohs | C:-40~85°C ,Pb Free Rohs Std. |
| Package type | L:SOT-223 O:TO-252 |
| Packing type: | TR: Tape & Reel (Standard) |
| Voltage accuracy | 2%(or 1% Customized) |



<http://www.txsemi.com>

TX1119 1A Bipolar Linear Regulator

Block Diagram



Pin Configuration

SOT223 (Top View)



Table1: TX1119 series (SOT223 PKG)

| PIN NO. | PIN NAME | FUNCTION |
|---------|----------|--------------------|
| 1 | VSS/ADJ | VSS/ADJ pin |
| 2 | VOUT | Output voltage pin |
| 3 | VIN | Input voltage pin |
| 4 | VOUT | Output voltage pin |

TO252 (Top View)

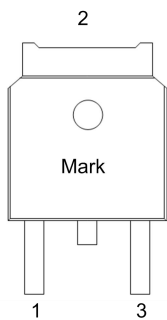


Table2: TX1119 series (TO252 PKG)

| PIN NO. | PIN NAME | FUNCTION |
|---------|----------|--------------------|
| 1 | VSS/ADJ | VSS/ADJ pin |
| 2 | VOUT | Output voltage pin |
| 3 | VIN | Input voltage pin |



Absolute Maximum Ratings

Max Input Voltage..... 30V
 Max Operating Junction Temperature(Tj)..... 150°C
 Ambient Temperature(Ta)..... -40°C~ 85°C
 Storage Temperature(Ts)..... -40°C~150°C
 Lead Temperature & Time..... 260°C 10S
 Caution: Exceed these limits to damage to the device. Exposure to absolute maximum rating conditions may affect device reliability.

Recommended Work Conditions

Recommended maximum input voltage..... 15V
 Recommended operating junction temperature(Tj)..... -20~125°C

Thermal Information

| Parameter | Package | Rating | Unit |
|----------------------------|---------|--------|------|
| Package thermal resistance | SOT-223 | 20 | °C/W |
| | TO-252 | 12.5 | °C/W |

Electrical Characteristics

T_A=25°C, unless otherwise noted.

| Symbol | Parameter | Conditions | Min | Typ | Max | Unit |
|------------------|-------------------|---|-------|------|-------|------|
| V _{ref} | Reference voltage | TX1119-Adj 10mA≤I _{out} ≤1A, V _{in} =3.25V | 1.225 | 1.25 | 1.275 | V |
| V _{out} | Output voltage | TX1119-1.2V 0≤I _{out} ≤1A, V _{in} =3.2V | 1.176 | 1.2 | 1.224 | V |
| | | TX1119-1.5V 0≤I _{out} ≤1A, V _{in} =3.5V | 1.47 | 1.5 | 1.53 | V |
| | | TX1119-1.8V 0≤I _{out} ≤1A, V _{in} =3.8V | 1.764 | 1.8 | 1.836 | V |
| | | TX1119-2.5V 0≤I _{out} ≤1A, V _{in} =4.5V | 2.45 | 2.5 | 2.55 | V |
| | | TX1119-2.85V 0≤I _{out} ≤1A, V _{in} =4.85V | 2.793 | 2.85 | 2.907 | V |
| | | TX1119-3.3V 0≤I _{out} ≤1A, V _{in} =5.3V | 3.234 | 3.3 | 3.366 | V |
| | | TX1119-5.0V 0≤I _{out} ≤1A, V _{in} =7.0V | 4.9 | 5 | 5.1 | V |



<http://www.txsemi.com>

TX1119

1A Bipolar Linear Regulator

| | | | | | | |
|------------------|-----------------|--|--|------|-----|----|
| ΔV_{out} | Line regulation | TX1119-1.2V $I_{out}=10mA, 2.7V \leq V_{in} \leq 10V$ | | 0.03 | 0.2 | %V |
| | | TX1119-1.5V $I_{out}=10mA, 3.0V \leq V_{in} \leq 10V$ | | 0.03 | 0.2 | %V |
| | | TX1119-ADJ $I_{out}=10mA, 2.75V \leq V_{in} \leq 12V$ | | 0.03 | 0.2 | %V |
| | | TX1119-1.8V $I_{out}=10mA, 3.3V \leq V_{in} \leq 12V$ | | 0.03 | 0.2 | %V |
| | | TX1119-2.5V $I_{out}=10mA, 4.0V \leq V_{in} \leq 12V$ | | 0.03 | 0.2 | %V |
| | | TX1119-2.85V $I_{out}=10mA, 4.35V \leq V_{in} \leq 12V$ | | 0.03 | 0.2 | %V |
| | | TX1119-3.3V $I_{out}=10mA, 4.8V \leq V_{in} \leq 12V$ | | 0.03 | 0.2 | %V |
| | | TX1119-5.0V $I_{out}=10mA, 6.5V \leq V_{in} \leq 12V$ | | 0.03 | 0.2 | %V |

| | | | | | | |
|------------------|----------------------|---|--|------|-----|----|
| ΔV_{out} | Load regulation | TX1119-1.2V $V_{in} = 2.7V, 10mA \leq I_{out} \leq 1A$ | | 2 | 8 | mV |
| | | TX1119-1.5V $V_{in} = 3.0V, 10mA \leq I_{out} \leq 1A$ | | 2 | 8 | mV |
| | | TX1119-ADJ $V_{in} = 2.75V, 10mA \leq I_{out} \leq 1A$ | | 2 | 8 | mV |
| | | TX1119-1.8V $V_{in} = 3.3V, 10mA \leq I_{out} \leq 1A$ | | 3 | 12 | mV |
| | | TX1119-2.5V $V_{in} = 4.0V, 10mA \leq I_{out} \leq 1A$ | | 4 | 16 | mV |
| | | TX1119-2.85V $V_{in} = 4.35V, 10mA \leq I_{out} \leq 1A$ | | 5 | 20 | mV |
| | | TX1119-3.3 $V_{in} = 4.8V, 10mA \leq I_{out} \leq 1A$ | | 6 | 24 | mV |
| | | TX1119-5.0 $V_{in} = 6.5V, 10mA \leq I_{out} \leq 1A$ | | 9 | 36 | mV |
| Vdrop | Dropout voltage | $I_{out} = 100mA$ | | 1.05 | 1.1 | V |
| | | $I_{out} = 1A$ | | 1.1 | 1.3 | V |
| Imin | Minimum load current | TX1119-ADJ | | 2 | 10 | mA |
| | | TX1119-1.2V, $V_{in} = 10V$ | | 2 | 5 | mA |
| | | TX1119-1.5V, $V_{in} = 10V$ | | 2 | 5 | mA |



<http://www.txsemi.com>

TX1119 1A Bipolar Linear Regulator

| | | | | | | |
|---------------------|-------------------------|--|--|------|-----|------|
| I _q | Quiescent Current | TX1119-1.8V, Vin=12V | | 2 | 5 | mA |
| | | TX1119-2.5V, Vin=12V | | 2 | 5 | mA |
| | | TX1119-2.85V, Vin=12V | | 2 | 5 | mA |
| | | TX1119-3.3V, Vin=12V | | 2 | 5 | mA |
| | | TX1119-5.0V, Vin=12V | | 2 | 5 | mA |
| I _{Adj} | Adjust pin current | TX1119-ADJ Vin=5V, 10mA ≤ I _{out} ≤ 1A | | 55 | 120 | uA |
| I _{change} | I _{adj} change | TX1119-ADJ Vin=5V, 10mA ≤ I _{out} ≤ 1A | | 0.2 | 10 | uA |
| ΔV/ΔT | Temperature coefficient | | | ±100 | | ppm |
| θ _{JC} | Thermal resistance | SOT-223 | | 20 | | °C/W |
| | | TO-252 | | 10 | | |

Note1: All test are conducted under ambient temperature 25°C and within a short period of time 20ms

Note2: Load current smaller than minimum load current of TX1119-ADJ will lead to unstable or oscillation output.



Detailed Description

TX1119 is a series of low dropout voltage, three terminal regulators. Its application circuit is very simple: the fixed version only needs two capacitors and the adjustable version only needs two resistors and two capacitors to work. It is composed of some modules including start-up circuit, bias circuit, bandgap, thermal shutdown, power transistors and its driver circuit and so on.

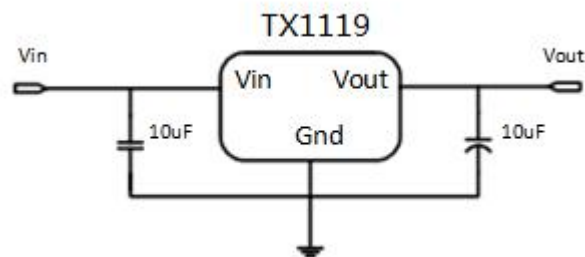
The thermal shut down modules can assure chip and its application system working safety when the junction temperature is larger than 140°C.

The bandgap module provides stable reference voltage, whose temperature coefficient is compensated by careful design considerations. The temperature coefficient is under 100 ppm/°C. And the accuracy of output voltage is guaranteed by trimming technique.

Typical Application

TX1119 has an adjustable version and six fixed versions (1.2V, 1.5V, 1.8V, 2.5V, 2.85V, 3.3V and 5V)

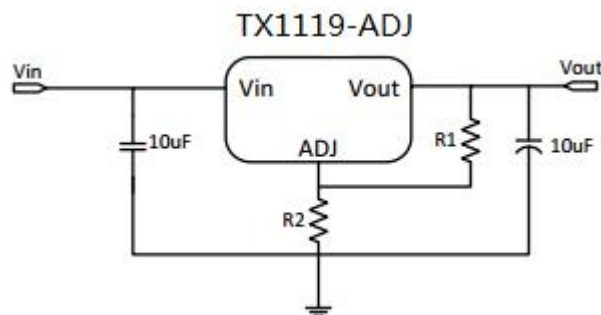
Fixed Output Voltage Version



Application circuit of TX1119 fixed version

- 1) Recommend using 10uF tan capacitor as bypass capacitor (C1) for all application circuit.
- 2) Recommend using 10uF tan capacitor to assure circuit stability.

Adjustable Output Voltage Version



Application Circuit of TX1119-ADJ

The output voltage of adjustable version follows the equation: $V_{out} = 1.25 \times (1 + R2/R1) + I_{Adj} \times R2$. We can ignore I_{Adj}



TX1119 1A Bipolar Linear Regulator

because IAdj (about 50uA) is much less than the current of R1 (about 2~10mA).

1) To meet the minimum load current (>10mA) requirement, R1 is recommended to be 125ohm or lower. As TX1119-ADJ can keep itself stable at load current about 2mA, R1 is not allowed to be higher than 625ohm.

2) Using a bypass capacitor (C_{ADJ}) between the ADJ pin and ground can improve ripple rejection. This bypass capacitor prevents ripple from being amplified as the output voltage is increased. The impedance of C_{ADJ} should be less than R1 to prevent ripple from being amplified. As R1 is normally in the range of 100Ω~500Ω, the value of C_{ADJ} should satisfy this equation: $1/(2\pi \times f_{ripple} \times C_{ADJ}) < R1$.

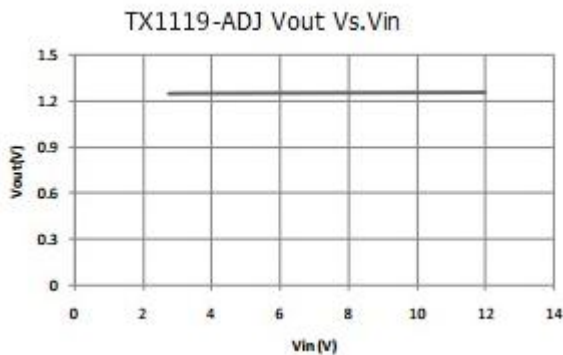
Thermal Considerations

We have to take heat dissipation into great consideration when output current or differential voltage of input and output voltage is large. Because in such cases, the power dissipation consumed by TX1119 is very large. TX1119 series uses SOT-223 package type and its thermal resistance is about 20°C/W. And the copper area of application board can affect the total thermal resistance. If copper area is 5cm*5cm (two sides), the resistance is about 30°C/W. So the total thermal resistance is about 20°C/W + 30°C/W. We can decrease total thermal resistance by increasing copper area in application board. When there is no good heat dissipation copper are in PCB, the total thermal resistance will be as high as 120°C/W, then the power dissipation of TX1119 could allow on itself is less than 1W. And furthermore, TX1119 will work at junction temperature higher than 125°C under such condition and no lifetime is guaranteed.

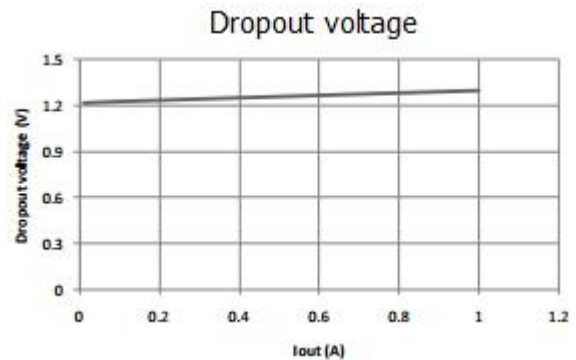
Typical Performance Characteristics

T_A=25°C, unless otherwise noted.

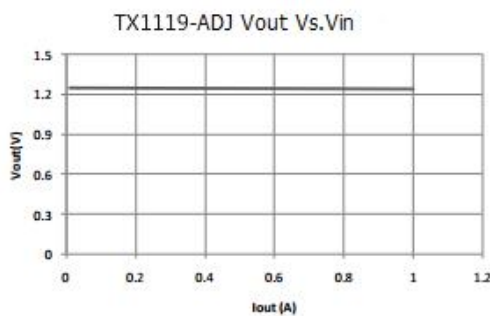
Line regulation



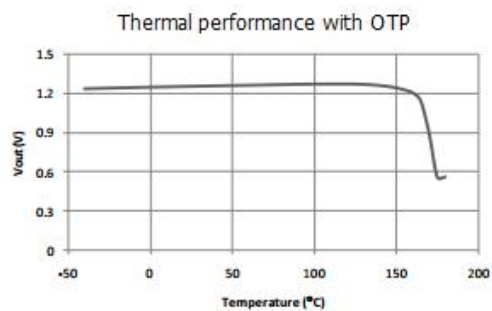
Dropout voltage



Load regulation



Thermal performance with OTP



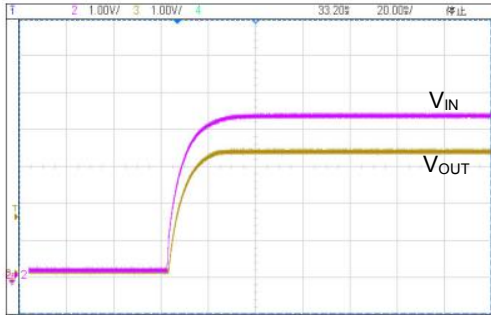


<http://www.txsemi.com>

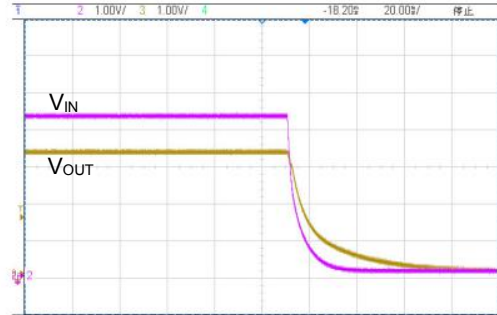
TX1119 1A Bipolar Linear Regulator

Power ON / OFF

$V_{IN}=0V$ to $5.0V$ $I_{OUT}=10mA$

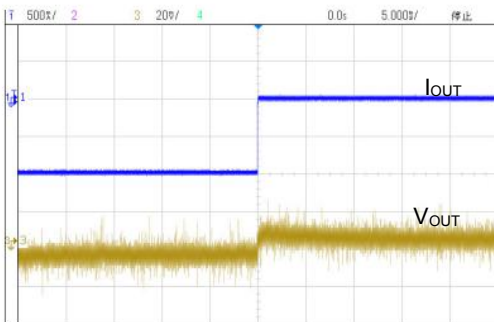


$V_{IN}=5.0V$ to $0V$ $I_{OUT}=10mA$

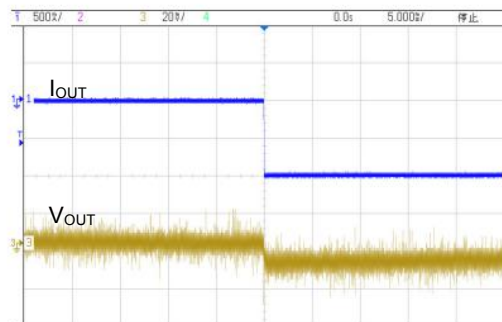


Load Transient Response

$I_{OUT}=1mA$ to $1A$



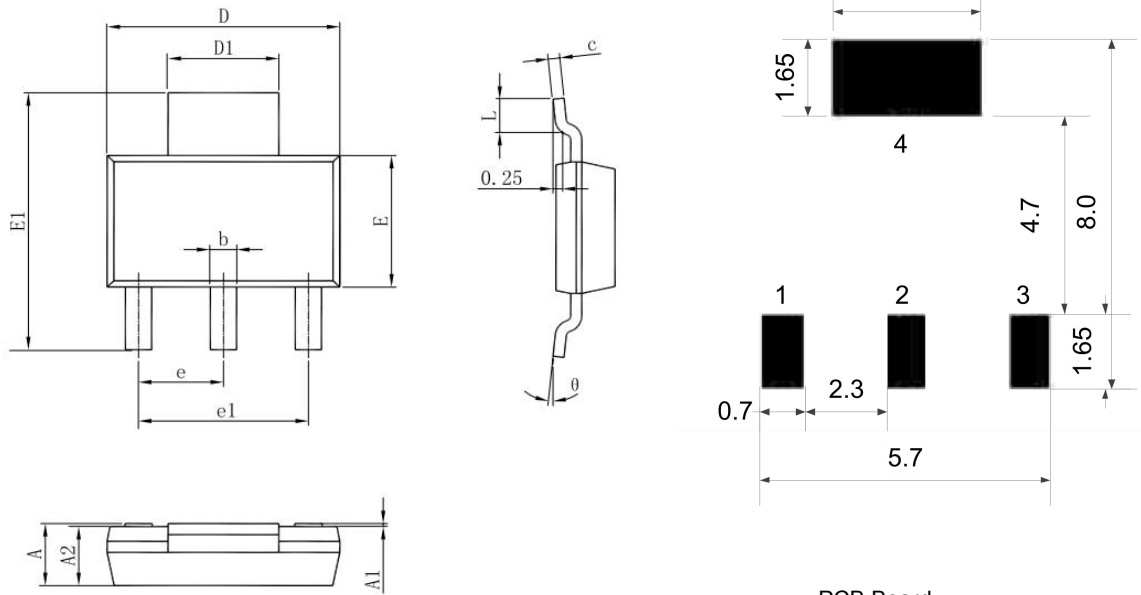
$I_{OUT}=1A$ to $1mA$





Package Information

SOT-223 PACKAGE OUTLINE DIMENSIONS



PCB Board

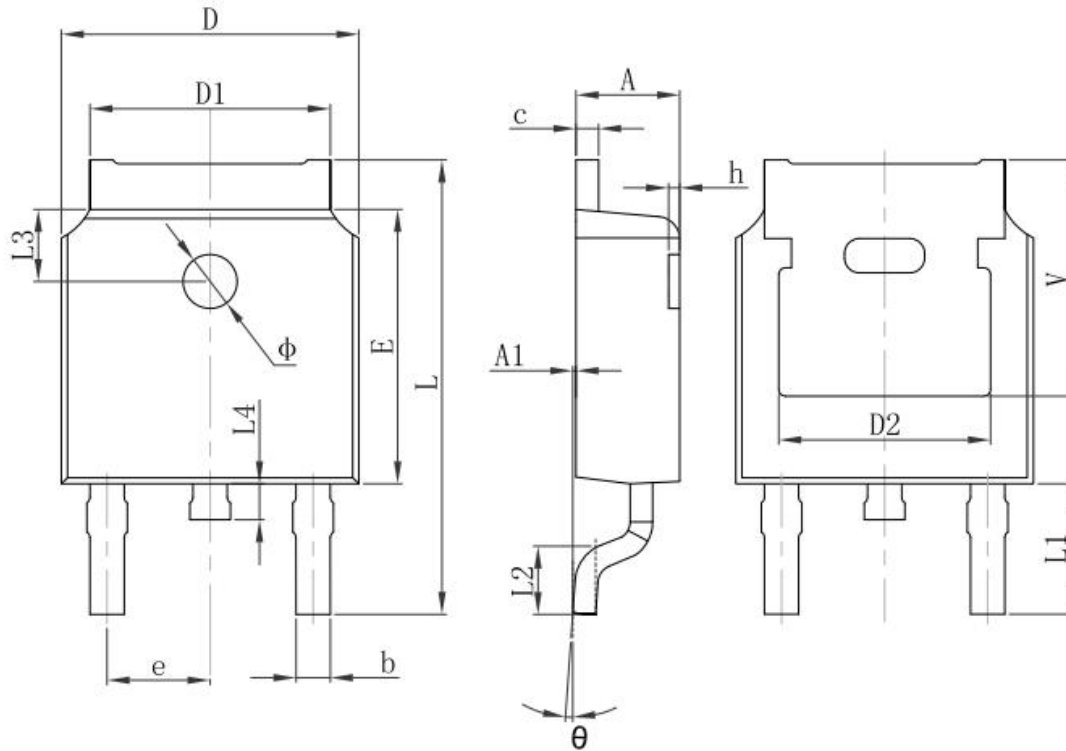
| Symbol | Dimensions In Millimeters | | Dimensions In Inches | |
|--------|---------------------------|-------|----------------------|-------|
| | Min | Max | Min | Max |
| A | 1.520 | 1.800 | 0.060 | 0.071 |
| A1 | 0.000 | 0.100 | 0.000 | 0.004 |
| A2 | 1.500 | 1.700 | 0.059 | 0.067 |
| b | 0.660 | 0.820 | 0.026 | 0.032 |
| c | 0.250 | 0.350 | 0.010 | 0.014 |
| D | 6.200 | 6.400 | 0.244 | 0.252 |
| D1 | 2.900 | 3.100 | 0.114 | 0.122 |
| E | 3.300 | 3.700 | 0.130 | 0.146 |
| E1 | 6.830 | 7.070 | 0.269 | 0.278 |
| e | 2.300(BSC) | | 0.091(BSC) | |
| e1 | 4.500 | 4.700 | 0.177 | 0.185 |
| L | 0.900 | 1.150 | 0.035 | 0.045 |
| θ | 0° | 10° | 0° | 10° |



<http://www.txsemi.com>

TX1119 1A Bipolar Linear Regulator

TO-252-2L PACKAGE OUTLINE DIMENSIONS



| Symbol | Dimensions In Millimeters | | Dimensions In Inches | |
|--------|---------------------------|--------|----------------------|-------|
| | Min. | Max. | Min. | Max. |
| A | 2.200 | 2.400 | 0.087 | 0.094 |
| A1 | 0.000 | 0.127 | 0.000 | 0.005 |
| b | 0.660 | 0.860 | 0.026 | 0.034 |
| c | 0.460 | 0.580 | 0.018 | 0.023 |
| D | 6.500 | 6.700 | 0.256 | 0.264 |
| D1 | 5.100 | 5.460 | 0.201 | 0.215 |
| D2 | 4.830 REF. | | 0.190 REF. | |
| E | 6.000 | 6.200 | 0.236 | 0.244 |
| e | 2.186 | 2.386 | 0.086 | 0.094 |
| L | 9.800 | 10.400 | 0.386 | 0.409 |
| L1 | 2.900 REF. | | 0.114 REF. | |
| L2 | 1.400 | 1.700 | 0.055 | 0.067 |
| L3 | 1.600 REF. | | 0.063 REF. | |
| L4 | 0.600 | 1.000 | 0.024 | 0.039 |
| φ | 1.100 | 1.300 | 0.043 | 0.051 |
| θ | 0° | 8° | 0° | 8° |
| h | 0.000 | 0.300 | 0.000 | 0.012 |
| V | 5.350 REF. | | 0.211 REF. | |



<http://www.txsemi.com>

TX1119

1A Bipolar Linear Regulator

© Shanghai TX Electronics Sci-Tech Co., Ltd

TX cannot assume responsibility for use of any circuitry other than circuitry entirely embodied in a TX product. No circuit patent license, copyrights or other intellectual property rights are implied. TX reserves the right to make changes to their products or specifications without notice. Customers are advised to obtain the latest version of relevant information to verify, before placing orders, that information being relied on is current and complete.