



### Features

- Micropower consumption
- 2.0V~5.5V power supply
- Chopper stabilized amplifier stage
- Open-drain output
- Switching for both polar of a magnet(Omnipolar)
- Very High Sensitivity Hall Sensor
- Package: SOT23-3, 3Pin SIP

### Applications

- Solid State Switch
- Home appliances, Industrial
- Position Detection
- Proximity Switch
- Smart Meter

### General Description

The TX212 is fabricated from mixed signal CMOS technology. It internally includes an on-chip Hall voltage generator, a voltage regulator for operation with supply voltages of 2.0 to 5.5V, a sleep/awake logic for low power consumption, temperature compensation circuitry, small-signal amplifier, Hall sensor with dynamic offset cancellation system, Schmitt trigger and an open-drain output.

Either north or south poles of sufficient strength

will turn the sensor output on. The output will be turned off under no magnetic field. While the magnetic flux density (B) is larger than operating point (Bop), the output will be turned on (low), the output is held until B is lower than release point (Brp), and then turned off.

The total power consumption in normal operation is typically 10 $\mu$ W with a 2.7V power source. Operating temperature range of the TX212 is from -40°C to 85°C.

### Block Diagram

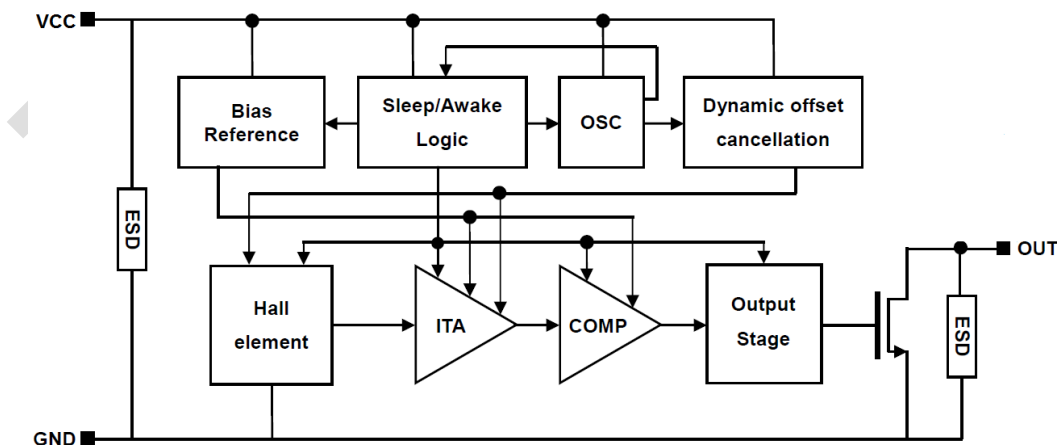


Fig 1



### Pin Assignment

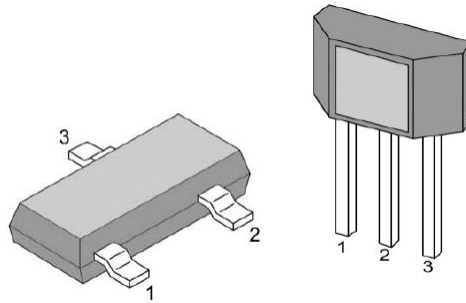


Fig2      SOT23      3Pin-SIP

#### Pin Description

SOT Pin Number	SIP Pin Number	Pin Name	Function
1	1	VCC	Supply Voltage
2	3	OUT	Open Drain Output
3	2	GND	Ground

### Order Information

Part number	Description
TX212MR	SOT23-3 package, tape and reel packaging(3000pcs/bag),RoHS/Pb Free
TX212TR	3Pin SIP package, bulk packaging (1000pcs/bag),RoHS/Pb Free

### Absolute Maximum Ratings

Symbol	Parameter	Value	Unit	
V <sub>CC</sub>	Supply Voltage	-0.5~6.0	V	
I <sub>DD</sub>	Supply Current	5	mA	
B	Magnetic Flux Density	Unlimited	Gauss	
T <sub>J</sub>	Operating Junction Temperature Range	-40 to 150	°C	
T <sub>S</sub>	Storage Temperature	-65 to 150	°C	
PD	Power Dissipation	3Pin SIP	550	mW
		SOT23-3	230	mW

Note: Stresses greater than those listed under “Absolute Maximum Ratings” may cause permanent damage to the device. These are stress ratings only, and functional operation of these or any other conditions beyond those indicated under “Recommended Operating Conditions” is not implied. “Absolute Maximum Ratings” for extended period may affect device reliability.



### Recommended Operating Conditions

(TA=25°C unless otherwise noted)

Parameter	Symbol	Min	Max	Unit
Supply Voltage	Vcc	2.0	5.5	V
Ambient Temperature	Ta	-40	85	°C

### Electrical Characteristics

(VCC=2.7V Ta=25°C, unless otherwise specified)

Symbol	Parameter	Test Conditions	Min.	Typ.	Max.	Unit
I <sub>CC</sub>	Average Supply Current	V <sub>CC</sub> =2.7V, Output Open	-	4	10	uA
I <sub>ON</sub>	Supply current (operating mode)	V <sub>CC</sub> =2.7V	-	1.2	-	mA
I <sub>ST</sub>	Supply current (stand-by mode)	V <sub>CC</sub> =2.7V	-	2.5	-	uA
V <sub>SAT</sub>	Output Saturation Voltage	I <sub>o</sub> =2mA, B>Bop	-	0.05	-	V
I <sub>OL</sub>	Output Leakage Current	V <sub>OUT</sub> =4.5V, B<Brp	-	<0.1	1	uA
T <sub>awake</sub>	Awake Time	V <sub>CC</sub> =2.7V	-	70	-	us
T <sub>period</sub>	Period	V <sub>CC</sub> =2.7V	-	115	-	ms
ESD	Electro-Static Discharge	HBM		4		KV

### Magnetic Characteristics

(VCC=2.7V Ta=25°C, unless otherwise specified)

Characteristics	Symbol	Min	Typ	Max	Unit
Operating Point	Bops (south pole to part marking side)	-	+35	+55	Gauss
	Bopn (north pole to part marking side)		-35	-55	Gauss
Releasing Point	Brps (south pole to part marking side)	+8	+25	-	Gauss
	Brpn (north pole to part marking side)	-8	-25	-	Gauss
Hysteresis	B <sub>hys</sub> = B <sub>opx</sub> -B <sub>rp</sub> x	3	10	18	Gauss

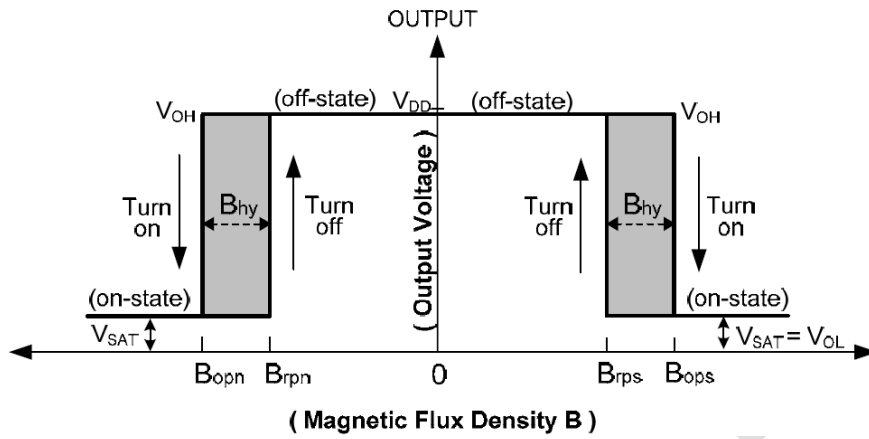


Fig 3

### Typical Output Waveform

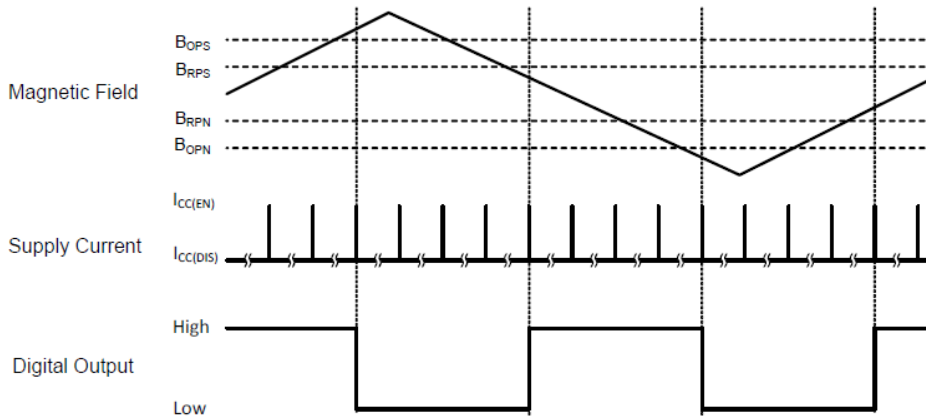
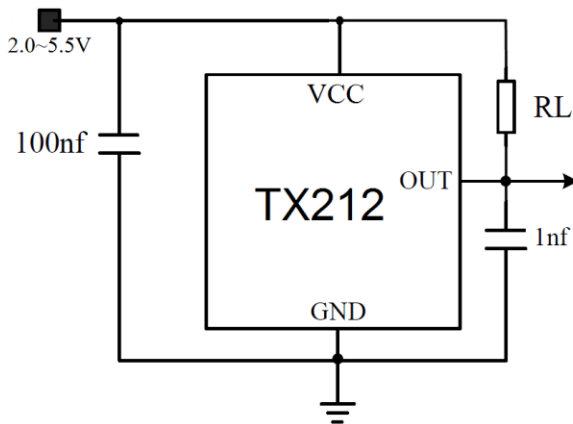


Fig 4

### Application Circuits



Note: RL recommend 100K  $\Omega$

Fig 5



### Typical Performance Characteristics

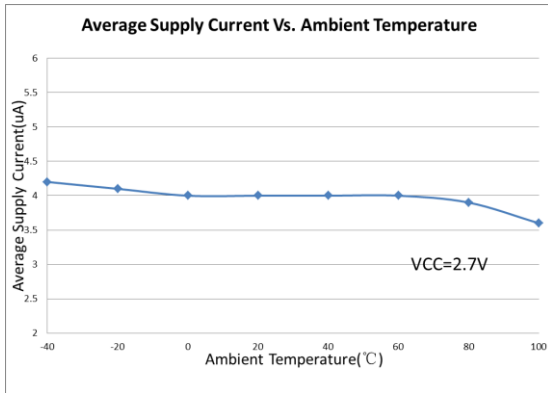


Fig6

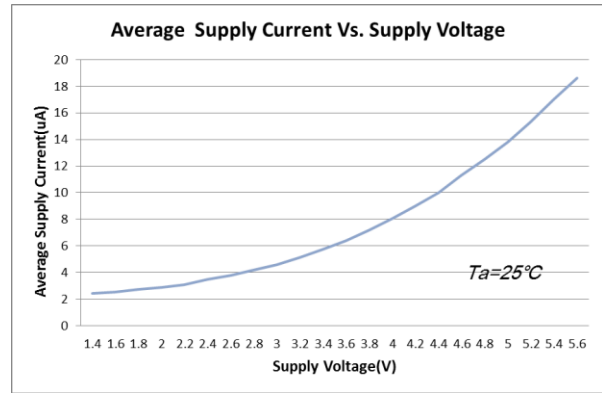
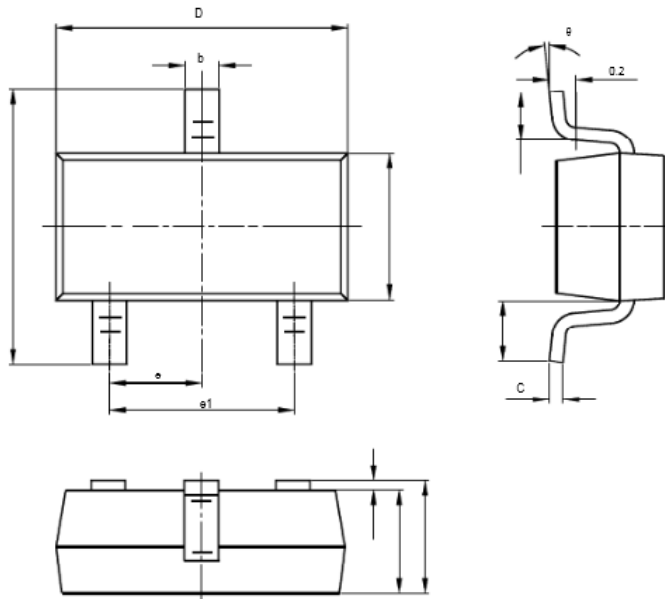


Fig7

### Package Information

PACKAGE DESIGNATOR  
SOT23-3(TX212MR)

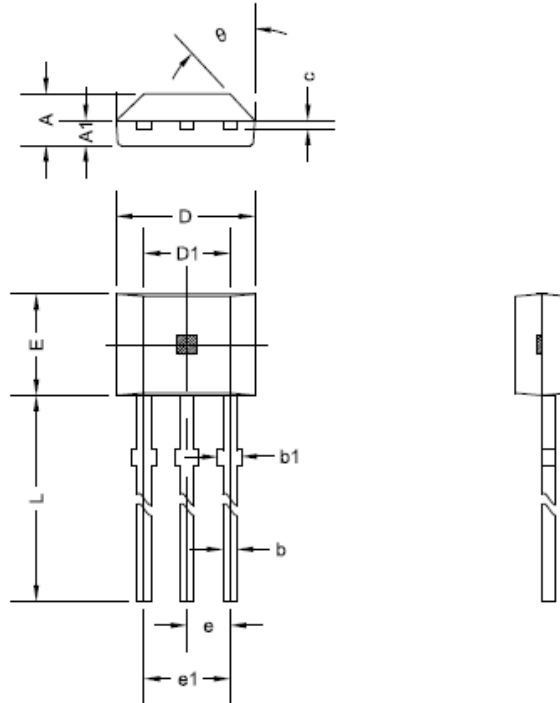


Symbol	Dimensions In Millimeters		Dimensions In Inches	
	Min	Max	Min	Max
A	1.050	1.250	0.041	0.049
A1	0.000	0.100	0.000	0.004
A2	1.050	1.150	0.041	0.045
b	0.300	0.400	0.012	0.016
c	0.100	0.200	0.004	0.008
D	2.820	3.020	0.111	0.119
E	1.600	1.700	0.059	0.067
E1	2.650	2.950	0.104	0.116
e	0.950TPY		0.037TPY	
e1	1.800	2.000	0.071	0.079
L	0.700REF		0.028REF	
L1	0.300	0.600	0.012	0.024
θ	0°	8°	0°	8°



PACKAGE DESIGNATOR

3pin SIP(TX212TR)



Symbol	Dimensions in Millimeters		Dimensions in Inches	
	Min	Max	Min	Max
A	1.420	1.620	0.056	0.064
A1	0.660	0.860	0.026	0.034
b	0.350	0.480	0.014	0.019
b1	0.400	0.550	0.016	0.022
C	0.360	0.510	0.014	0.020
D	3.900	4.200	0.154	0.165
D1	2.970	3.270	0.117	0.129
E	2.870	3.124	0.113	0.123
e	1.270 TYP.		0.050 TYP.	
e1	2.440	2.640	0.096	0.104
L	13.600	15.500	0.535	0.610
θ	45° TYP.		45° TYP.	

© Shanghai TX Electronics Sci-Tech Co., Ltd

TX cannot assume responsibility for use of any circuitry other than circuitry entirely embodied in a TX product. No circuit patent license, copyrights or other intellectual property rights are implied. TX reserves the right to make changes to their products or specifications without notice. Customers are advised to obtain the latest version of relevant information to verify, before placing orders, that information being relied on is current and complet.