



TX6250

<http://www.txsemi.com>

1A Low Power High PSRR LDO

Features

- Low voltage drop: 0.06V@100mA
- High input voltage: 8.5V
- Low temperature coefficient
- Low Quiescent Current: 25uA at 5.0V
- Output voltage accuracy: tolerance $\pm 2\%$
- SOT23-5 , SOT89 and SOT223 packages

Applications

- Battery-powered equipment
- Hand-Hold Equipment
- GRS Receivers
- Wireless LAN

General Description

The TX6250 series is a group of positive voltage output, three-pin regulators, that provide a high current even when the input/output voltage differential is small. Low power consumption and high accuracy is achieved through CMOS and laser trimming technologies.

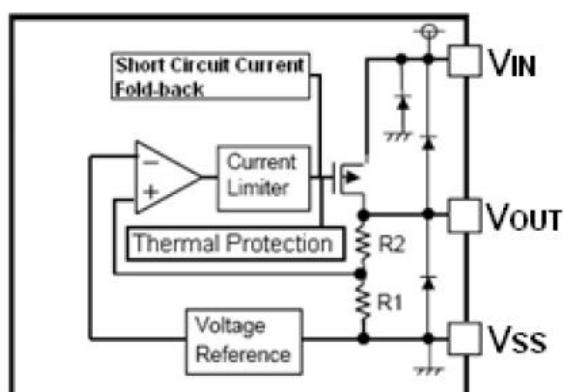
The TX6250 consists of a high-precision voltage reference, an error amplification circuit, and a current limited output driver. Transient response to a load variations have improved in comparison to the existing series.

Order Information

TX6250①②③④

Designator	Symbol	Description
①	P	Package:SOT89A
	PB	Package:SOT89B
	M5	Package:SOT23-5
	GB	Package:SOT223B
②③	Integer	Output Voltage(0.8~5.0V)
④	R	RoHS / Pb Free
	G	Halogen Free

Block Diagram





TX6250

1A Low Power High PSRR LDO

Pin Assignment

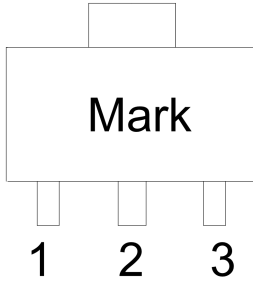


Table1 TX6250 series (SOT89A PKG)

PIN NO.	PIN NAME	FUNCTION
1	GND	GND pin
2	VIN	Input voltage pin
3	VOUT	Output voltage pin

Table2 TX6250 series (SOT89B PKG)

PIN NO.	PIN NAME	FUNCTION
1	VIN	Input voltage pin
2	GND	GND pin
3	VOUT	Output voltage pin

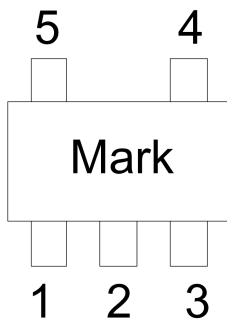


Table3 TX6250 series (SOT23-5 PKG)

PIN NO.	PIN NAME	FUNCTION
1	VIN	Input voltage pin
2	GND	GND pin
3	EN	Enable pin "H": Normal operation "L": Step-up stopped
4	NC	(N.C.)
5	VOUT	Output voltage pin



Table4 TX6250 series (SOT223B PKG)

PIN NO.	PIN NAME	FUNCTION
1	VIN	Input voltage pin
2	GND	GND pin
3	VOUT	Output voltage pin

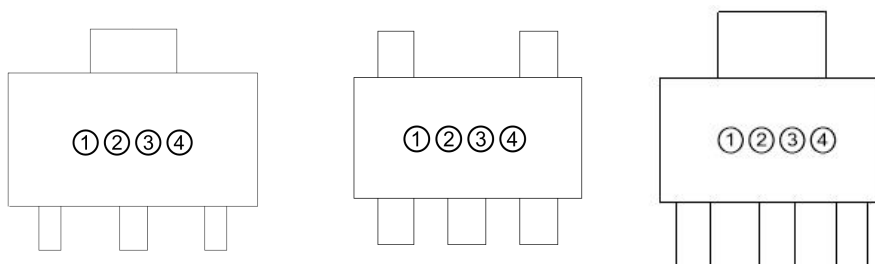


TX6250

<http://www.txsemi.com>

1A Low Power High PSRR LDO

Marking Rule



- ① product code: H
- ② output voltage code:

Voltage(V)	Code	Voltage(V)	Code	Voltage(V)	Code
0.6	m	2.1	7	3.6	L
0.7	n	2.2	8	3.7	M
0.8	h	2.3	9	3.8	N
0.9	k	2.4	0	3.9	O
1.0	a	2.5	A	4.0	P
1.1	b	2.6	B	4.1	Q
1.2	c	2.7	C	4.2	R
1.3	d	2.8	D	4.3	S
1.4	e	2.9	E	4.4	T
1.5	1	3.0	F	4.5	U
1.6	2	3.1	G	4.6	V
1.7	3	3.2	H	4.7	W
1.8	4	3.3	I	4.8	X
1.9	5	3.4	J	4.9	Y
2.0	6	3.5	K	5.0	Z

- ③ CE code

Symbol	Standard
E	With CE
N	Without CE

- ④ Data Code: X



TX6250

1A Low Power High PSRR LDO

<http://www.txsemi.com>

Absolute Maximum Ratings

Supply Voltage-0.3V to 8.5V Operating Temperature-40°C to 85°C
 Output Current.....1.1A Storage Temperature-40°C to 125°C

Note: These are stress ratings only. Stresses exceeding the range specified under “Absolute Maximum Ratings” may cause substantial damage to the device. Functional operation of this device at other conditions beyond those listed in the specification is not implied and prolonged exposure to extreme conditions may affect device reliability.

Electrical Characteristics

TX6250 for any output voltage

(Ta=25°C)

Parameter	Symbol	Conditions	Min.	Typ.	Max.	Unit
Output Voltage	Vout	Vin=Vout+1V 1.0mA≤Iout≤30mA	Vout×0.98	--	Vout×1.02	V
Output Current*1	Iout	Vin-Vout=1V	--	1000	--	mA
Low dropout*2	Vdrop	Refer to the next table				
Line Regulation	$\Delta V_{out1}/(V_{in}-V_{out})$	1.6V≤Vin≤8V Iout=100mA	--	0.05	0.2	%/V
Load Regulation	ΔV_{out}	Vin= Vout+1V 1.0mA≤Iout≤100mA	--	12	30	mV
Output voltage Temperature Coefficiency	$\Delta V_{out}/(T_a-V_{out})$	Iout=30mA 0°C≤Ta≤70°C	--	±100	--	Ppm/°C
PSRR	PSRR	F=1KHz Vin=Vout+1V	--	70	--	dB
Supply Current	Iss	--	--	25	35	uA
Input Voltage	Vin	--	--	--	7.5	V
Thermal shutdown detection temperature	TSD	Junction temperature	-	160	-	°C
Thermal shutdown release temperature	TSR	Junction temperature	-	140	-	°C



TX6250

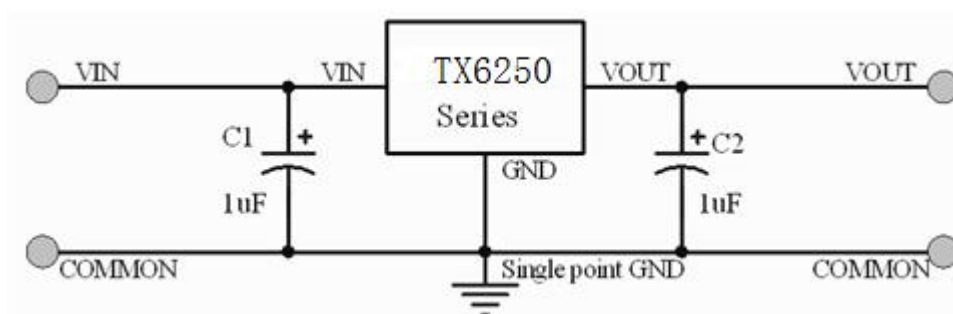
1A Low Power High PSRR LDO

<http://www.txsemi.com>

Electrical Characteristics by Output Voltage:

Output Voltage Vout(V)	Dropout Voltage Vdif (V)		
	Conditions	Typ.	Max.
$V_{out} \leq 2.0V$	$I_{out}=60\text{ mA}$	0.05	0.08
$2.0 < V_{out} \leq 3.0$	$I_{out}=80\text{ mA}$	0.05	0.08
$3.0 < V_{out} \leq 4.0$	$I_{out}=100\text{ mA}$	0.06	0.08
$4.0 < V_{out} \leq 5.0$		0.05	0.08
$3.0 < V_{out} \leq 4.0$	$I_{out}=200\text{ mA}$	0.13	0.16
$4.0 < V_{out} \leq 5.0$		0.12	0.16
$3.0 < V_{out} \leq 4.0$	$I_{out}=1000\text{ mA}$	0.65	0.8
$4.0 < V_{out} \leq 5.0$		0.6	0.8

Application Circuits



Note1: Input capacitor $C_{IN}=1\mu F$.

Note2: Output capacitor $C_{OUT}=1\mu F/6.8\mu F$ (1uF Tantalum capacitor or 6.8uF ceramic capacitor is recommended).



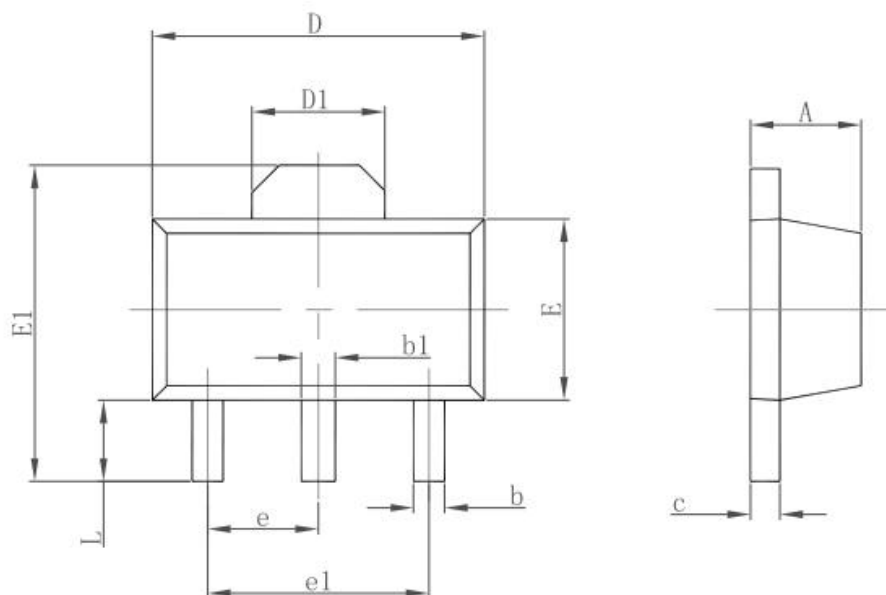
TX6250

<http://www.txsemi.com>

1A Low Power High PSRR LDO

Package Information

SOT-89-3L PACKAGE OUTLINE DIMENSIONS



Symbol	Dimensions In Millimeters		Dimensions In Inches	
	Min.	Max.	Min.	Max.
A	1.400	1.600	0.055	0.063
b	0.320	0.520	0.013	0.020
b1	0.400	0.580	0.016	0.023
c	0.350	0.440	0.014	0.017
D	4.400	4.600	0.173	0.181
D1	1.550 REF.		0.061 REF.	
E	2.300	2.600	0.091	0.102
E1	3.940	4.250	0.155	0.167
e	1.500 TYP.		0.060 TYP.	
e1	3.000 TYP.		0.118 TYP.	
L	0.900	1.200	0.035	0.047

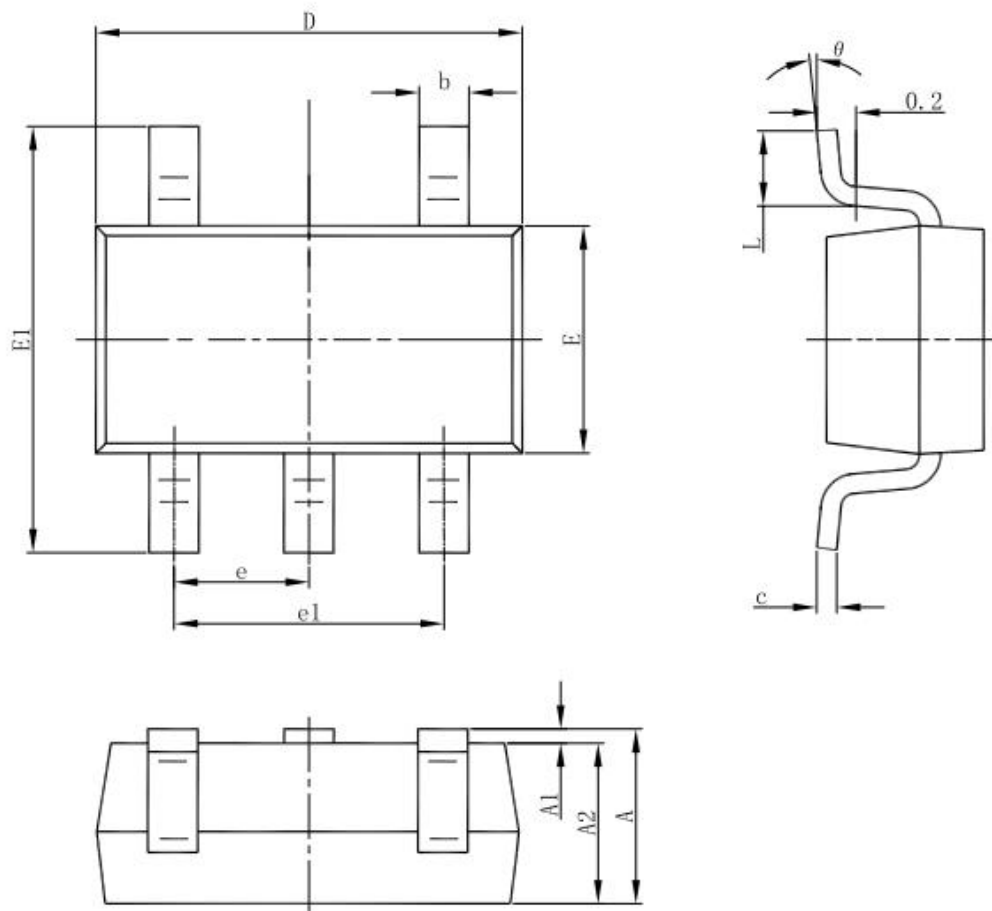


TX6250

<http://www.txsemi.com>

1A Low Power High PSRR LDO

SOT23-5 Outline Dimensions



Symbol	Dimensions In Millimeters		Dimensions In Inches	
	Min	Max	Min	Max
A	1.050	1.250	0.041	0.049
A1	0.000	0.100	0.000	0.004
A2	1.050	1.150	0.041	0.045
b	0.300	0.500	0.012	0.020
c	0.100	0.200	0.004	0.008
D	2.820	3.020	0.111	0.119
E	1.500	1.700	0.059	0.067
E1	2.650	2.950	0.104	0.116
e	0.950(BSC)		0.037(BSC)	
e1	1.800	2.000	0.071	0.079
L	0.300	0.600	0.012	0.024
theta	0°	8°	0°	8°

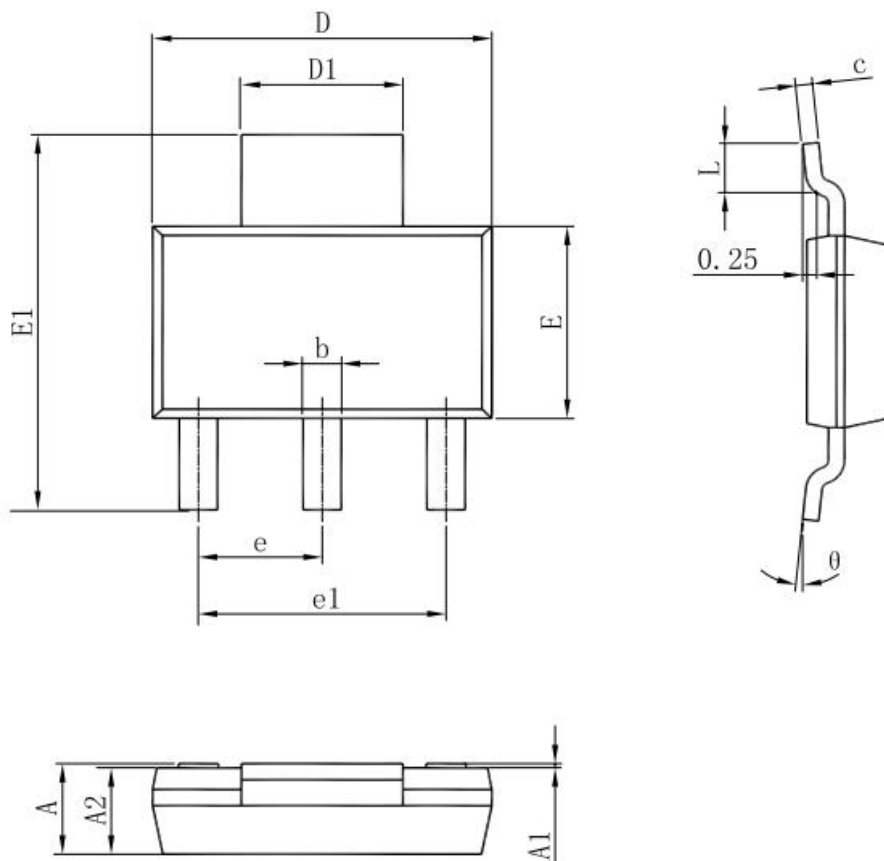


TX6250

<http://www.txsemi.com>

1A Low Power High PSRR LDO

SOT-223 PACKAGE OUTLINE DIMENSIONS



Symbol	Dimensions In Millimeters		Dimensions In Inches	
	Min	Max	Min	Max
A	1.520	1.800	0.060	0.071
A1	0.000	0.100	0.000	0.004
A2	1.500	1.700	0.059	0.067
b	0.660	0.820	0.026	0.032
c	0.250	0.350	0.010	0.014
D	6.200	6.400	0.244	0.252
D1	2.900	3.100	0.114	0.122
E	3.300	3.700	0.130	0.146
E1	6.830	7.070	0.269	0.278
e	2.300(BSC)		0.091(BSC)	
e1	4.500	4.700	0.177	0.185
L	0.900	1.150	0.035	0.045
θ	0°	10°	0°	10°



<http://www.txsemi.com>

TX6250

1A Low Power High PSRR LDO

© Shanghai TX Electronics Sci-Tech Co., Ltd

TX cannot assume responsibility for use of any circuitry other than circuitry entirely embodied in a TX product. No circuit patent license, copyrights or other intellectual property rights are implied. TX reserves the right to make changes to their products or specifications without notice. Customers are advised to obtain the latest version of relevant information to verify, before placing orders, that information being relied on is current and complete.