



TX78MXX

<http://www.txsemi.com>

Features

- Output Current of 500mA
- Thermal Overload Protection
- Short Circuit Protection
- Output transistor safe area protection
- No external components
- Package: TO252
- Output voltage accuracy: tolerance $\pm 5\%$

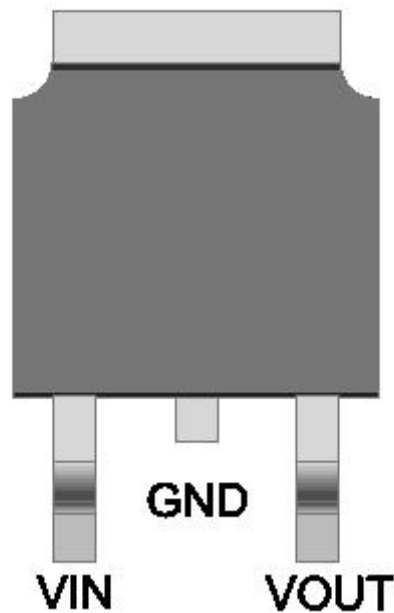
General Description

TX78XX is three-terminal positive regulators. One of these regulators can deliver up to 500mA of output current. The internal limiting and thermal-shutdown features of the regulator make them essentially immune to overload. When used as a

replacement for a zener diode-resistor Combination, an effective improvement in output impedance can be obtained, together with lower quiescent current.

Pin Configuration

TO252 (Top View)





TX78MXX

<http://www.txsemi.com>

Electrical Characteristics

(Cin=0.33uF, Co=0.1uF, 0≤Tj≤125°C, unless otherwise noted)

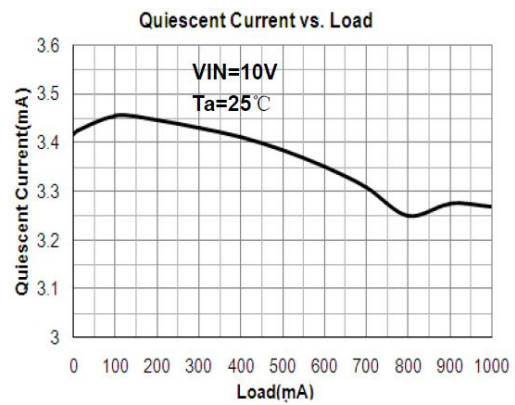
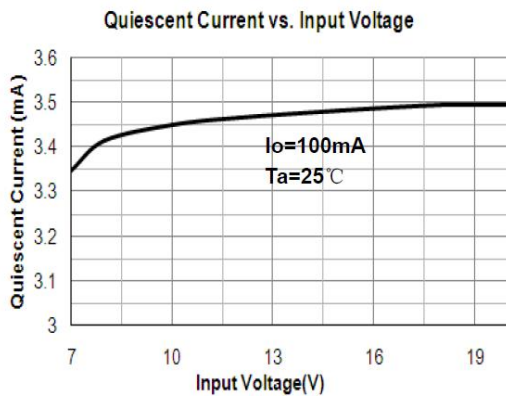
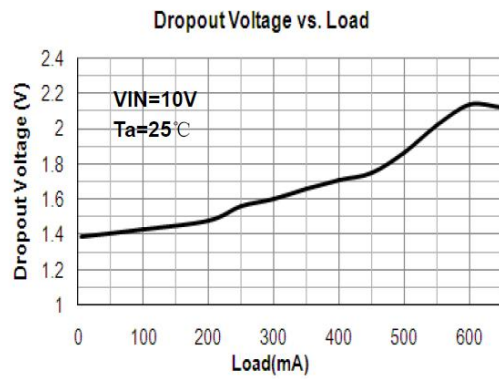
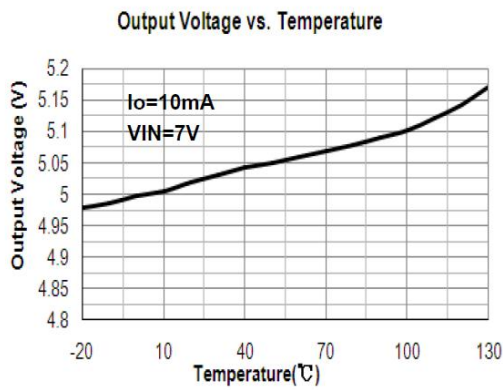
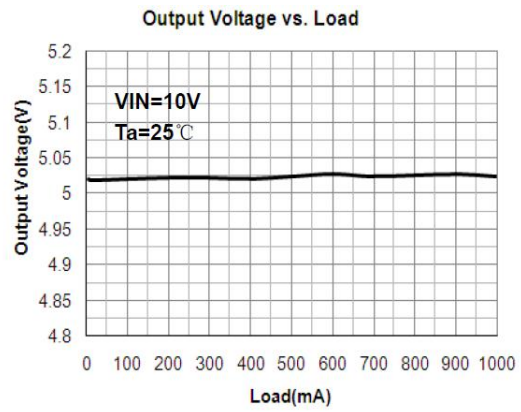
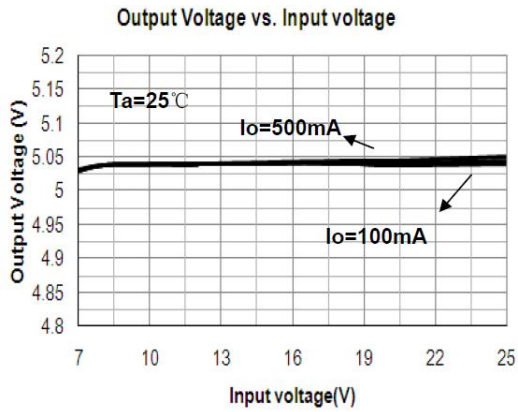
Parameter	Symbol	Conditions	Min.	Typ.	Max.	Unit
Output Voltage	Vout	Io=40mA, VIN=10V	0.964vout	vout	1.036vout	V
		Io=1mA~40mA VIN=7V~18V	0.96vout	vout	1.04vout	
		Io=1mA~10mA VIN=10V	0.95vout	vout	1.05vout	
Line Regulation	LNR	VIN=7V~18V, Io=40mA	-150	-	150	mV
		VIN=8V~18V, Io=40mA	-100	-	100	
Load Regulation	LDR	VIN=10V, Io=1mA~100mA	-60	-	60	mV
		VIN=10V, Io=1mA~40mA	-30	-	30	
Dropout Voltage	V _{DIF}	Tj=25°C, Io=100mA	-	2	-	V
Output noise Voltage	V _N	F=10Hz to 100KHz	-	40	-	uV/Vo
Ripple Rejection	PSRR	Tj=25°C, f=120Hz, Io=40mA, VIN=8V~20V	-	80	-	dB
Quiescent Current	I _Q	VIN=10V, IOU=40mA	-	-	5.5	mA
Quiescent Current Change	ΔI _Q	VIN=8V~18V, Io=40mA	-1.5	-	1.5	mA
		VIN=10V, IOU=1mA~40mA,	-0.1	-	0.1	

LNR: Line Regulation. The change in output voltage for a change in the input voltage. The measurement is made under conditions of low dissipation or by using pulse techniques such that the average chip temperature is not significantly affected.

LDR: Load Regulation. The change in output voltage for a change in load current at constant chip temperature.



Typical Performance Characteristics





<http://www.txsemi.com>

Operation Description

TX78XX is designed with Thermal Overload Protection that shuts down the circuit when subjected to an excessive power overload condition, Internal Short Circuit Protection that limits the maximum current the circuit will pass, and Output Transistor Safe-Area Compensation that reduces the output short circuit current as the voltage across the pass transistor is increased.

In many low current applications, compensation capacitors are not required. However, it is recommended that the regulator input be bypassed with a capacitor if the regulator is connected to the power supply filter with long wire lengths, or if the output load capacitance is large. An input bypass capacitor should be selected to provide good high frequency characteristics to insure stable operation under all load conditions. A 0.33 μ F or larger tantalum, mylar, or other capacitor having low internal impedance at high frequencies should be chosen. The bypass capacitor should be mounted with the shortest possible leads directly across the regulator's input terminals. Normally good construction techniques should be used to minimize ground loops and lead resistance drops since the regulator has no external sense lead.

Typical Application

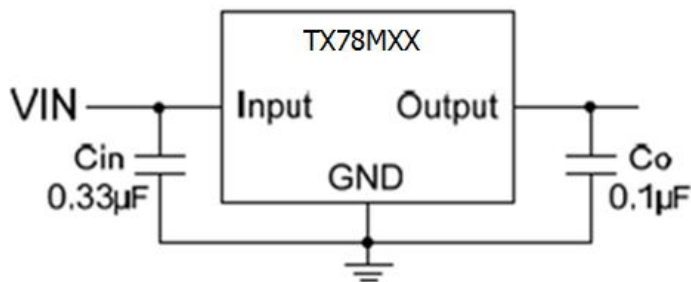


Fig.1 Fixed Output Regulator

A common ground is required between the input and the output voltages. The input voltage must remain typically 2.0 V above the output voltage even during the low point on the input ripple voltage.

- C_{in} is required if regulator is located an appreciable distance from power supply filter.
- C_o is not needed for stability; however, it does improve transient response.

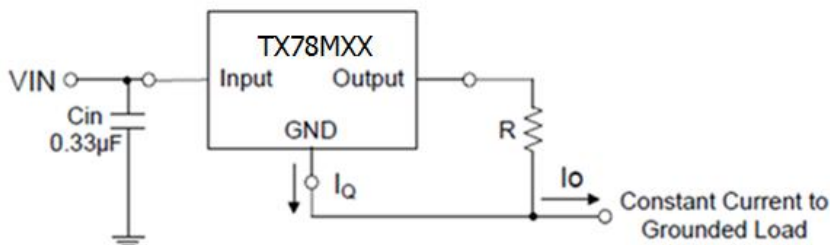


Fig.2 Constant Current Regulator

The TX78XX regulator can also be used as a current source when connected as Fig.2. In order to minimize dissipation the TX78XX is chosen in this application. Resistor R determines the current as

$$I_o = \frac{5V}{R} + I_q$$

follows:



TX78MXX

<http://www.txsemi.com>

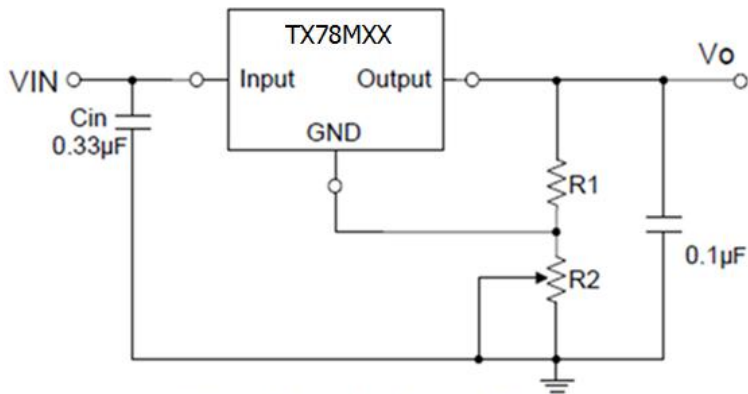


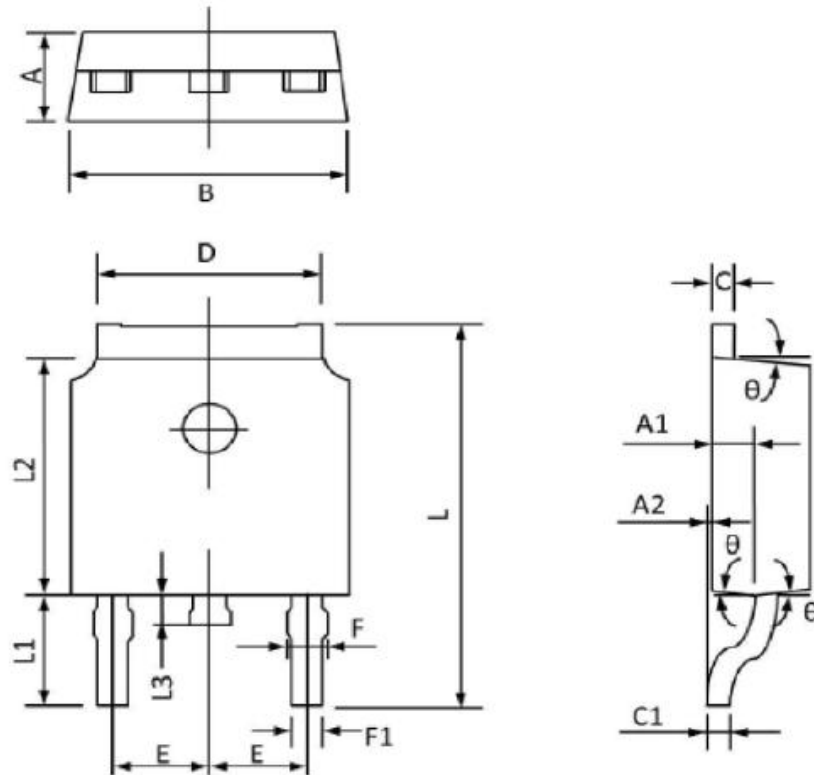
Fig.3 Adjustable Output Regulator

$$V_o = 5V + (5V/R_1 + I_Q) * R_2$$

$$5V/R_1 > 3 * I_Q$$



Package Information
3-pin TO252 Outline Dimensions



Symbol	Dimensions In Millimeters		Dimensions In Inches	
	Min	Max	Min	Max
A	2.20	2.40	0.087	0.094
A1	0.91	1.11	0.036	0.044
A2	0.00	0.15	0.000	0.006
B	6.50	6.70	0.256	0.264
C	0.46	0.580	0.018	0.230
C1	0.46	0.580	0.018	0.030
D	5.10	5.46	0.201	0.215
E	2.186	2.386	0.086	0.094
F	0.74	0.94	0.029	0.037
F1	0.660	0.860	0.026	0.034
L	9.80	10.40	0.386	0.409
L1	2.9REF		0.114REF	
L2	6.00	6.20	0.236	0.244
L3	0.60	1.00	0.024	0.039
θ	3°	9°	3°	9°



TX78MXX

<http://www.txsemi.com>

© Shanghai TX Electronics Sci-Tech Co., Ltd

TX cannot assume responsibility for use of any circuitry other than circuitry entirely embodied in a TX product. No circuit patent license, copyrights or other intellectual property rights are implied. TX reserves the right to make changes to their products or specifications without notice. Customers are advised to obtain the latest version of relevant information to verify, before placing orders, that information being relied on is current and complete.